

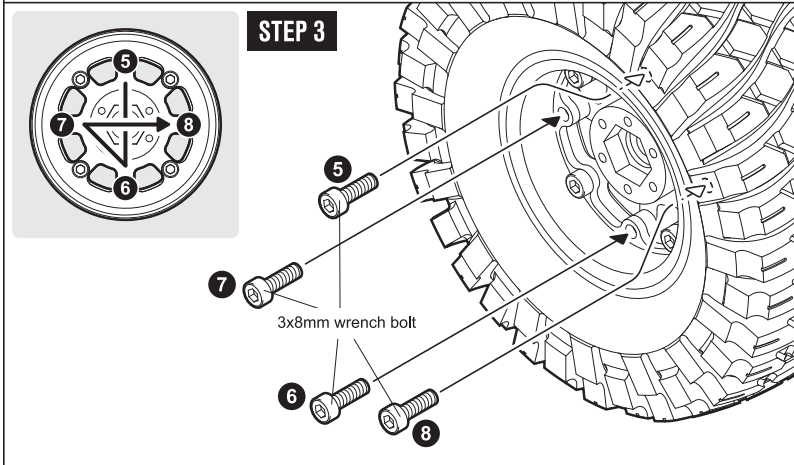
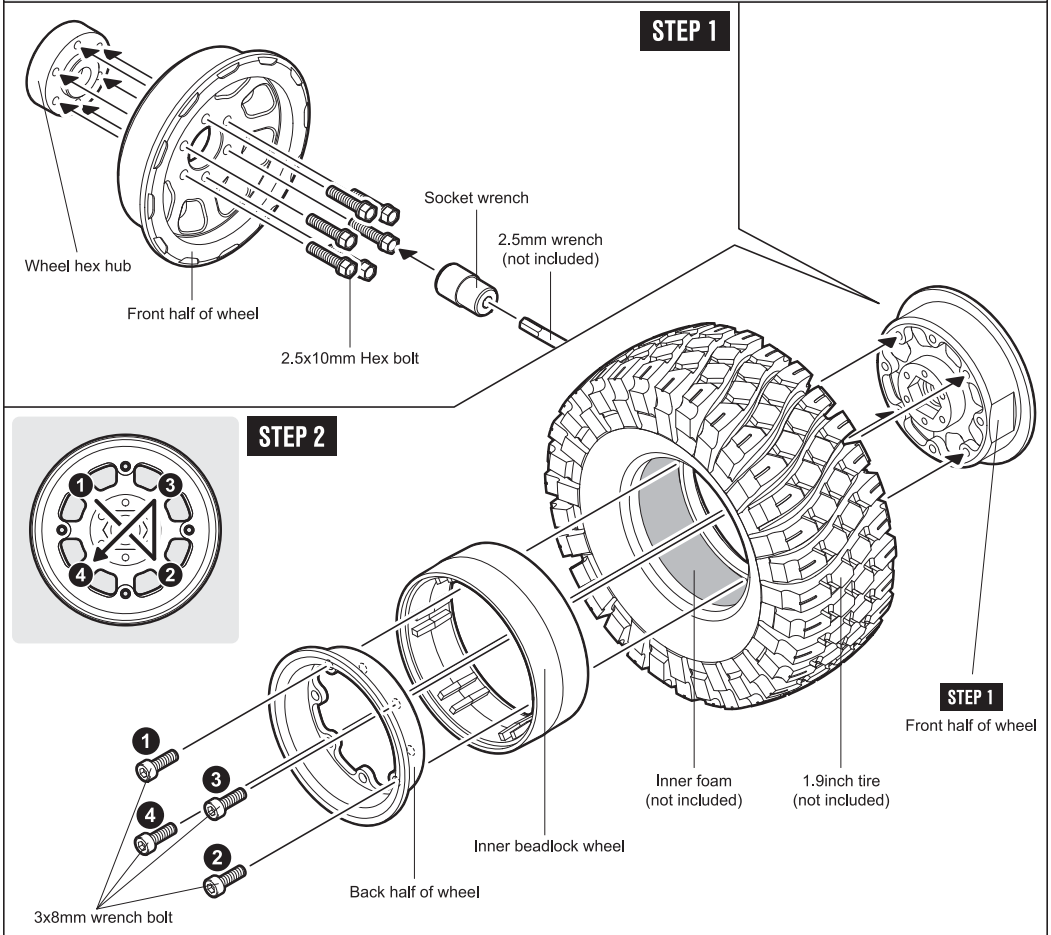


1.9INCH AR SERIES BEADLOCK WHEEL INSTRUCTIONS

-  - Do not over tighten screws.
-  - Please read all instructions prior to assembling beadlock wheels



Pieces included

- Front half of wheels x 2
- Back half of wheels x 2
- Inner beadlock wheels x 2
- Wheel hex hubs x 2
- 3 x 8mm wrench bolts x 16
- 2.5 x 10mm hex bolts x 12
- Socket wrench x 1