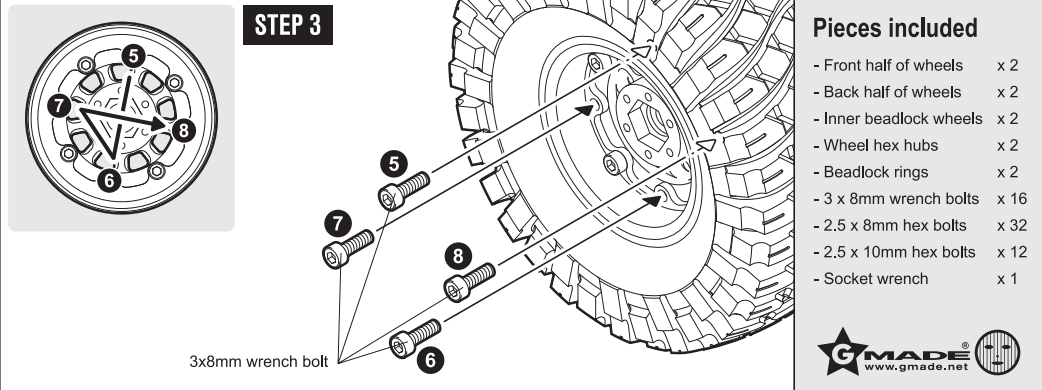
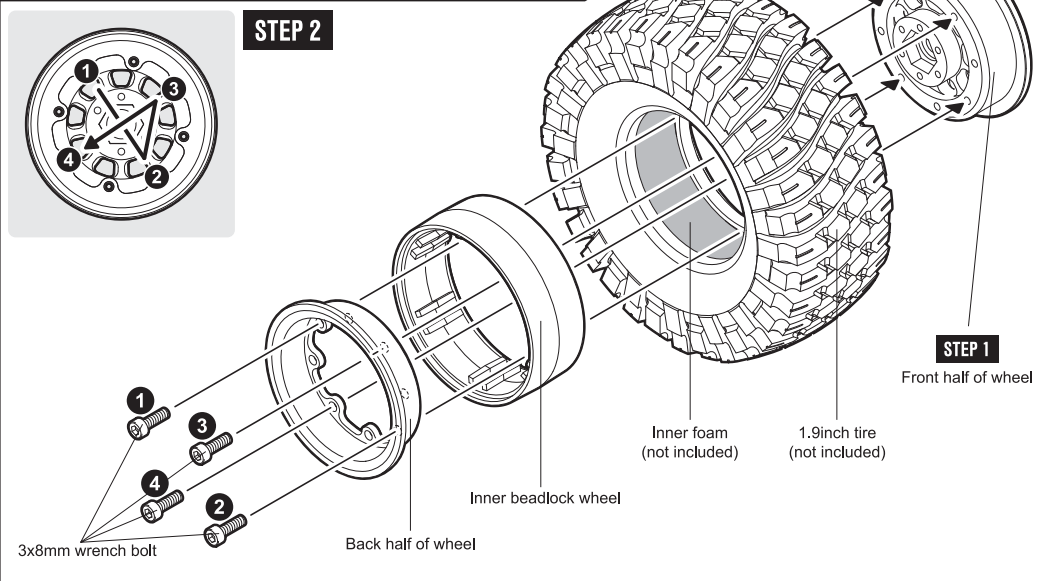
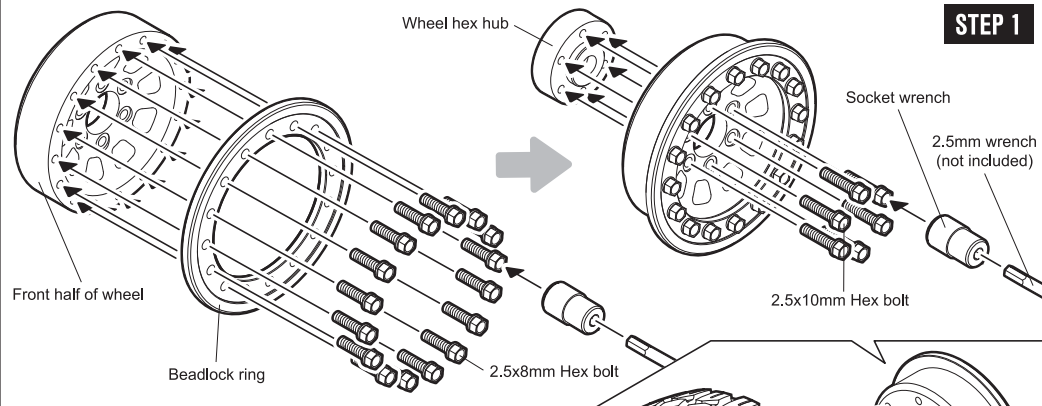


# 1.9 INCH AR SERIES BEADLOCK WHEEL INSTRUCTIONS (BEADLOCK RING TYPE)

- ⚠ - Do not over tighten screws.
- ⚠ - Please read all instructions prior to assembling beadlock wheels



- Pieces included**
- Front half of wheels x 2
  - Back half of wheels x 2
  - Inner beadlock wheels x 2
  - Wheel hex hubs x 2
  - Beadlock rings x 2
  - 3 x 8mm wrench bolts x 16
  - 2.5 x 8mm hex bolts x 32
  - 2.5 x 10mm hex bolts x 12
  - Socket wrench x 1

