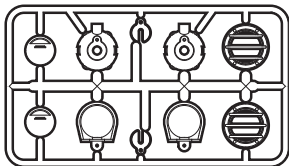


# GM40034 FOG LED LIGHT & ACCESSORIES INSTRUCTION MANUAL

PART REFERENCE



GM49013 x1  
Fog LED light & accessories parts tree



GM49014 x2  
Clear lens



3X8mm x2  
Round head tapping screw



2X6mm x2  
Round head tapping screw



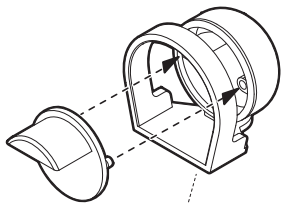
P5 O-ring x2



R5 snap pin x2

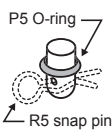
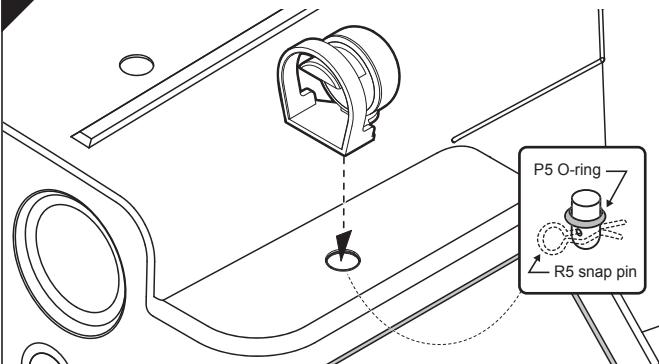
BLACKOUT LIGHT BUCKET

STEP 1.



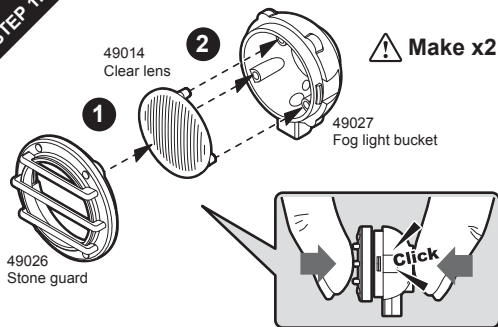
49030 Blackout light cover  
49029 Blackout light bucket

STEP 2.



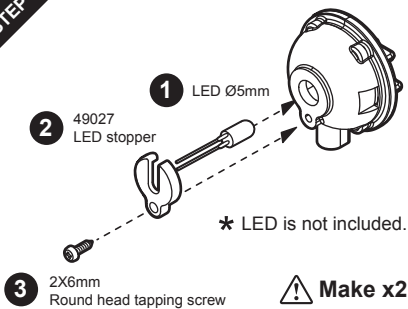
FOG LIGHT BUCKET

STEP 1.



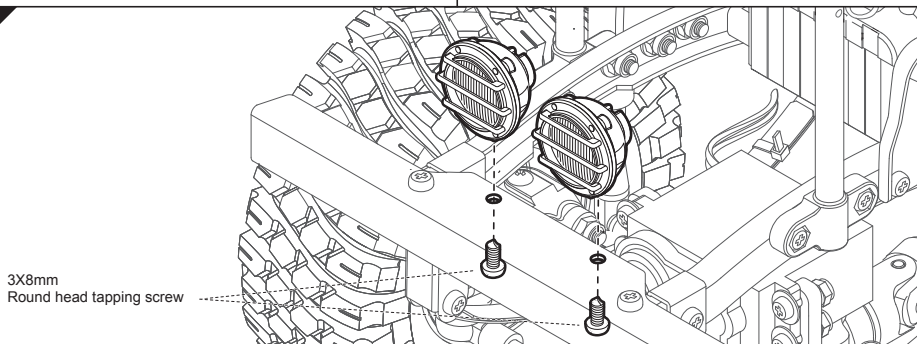
49014 Clear lens  
49027 Fog light bucket  
49026 Stone guard  
⚠ Make x2

STEP 2.



LED Ø5mm  
49027 LED stopper  
\* LED is not included.  
⚠ Make x2  
2X6mm Round head tapping screw

STEP 3.



3X8mm Round head tapping screw