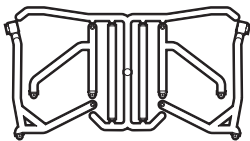


# GM40044 ROLL BAR SET INSTRUCTION MANUAL

Parts reference



GM49009 x1  
Sawback roll bar parts tree



3X25mm  
Round head tapping screw x4

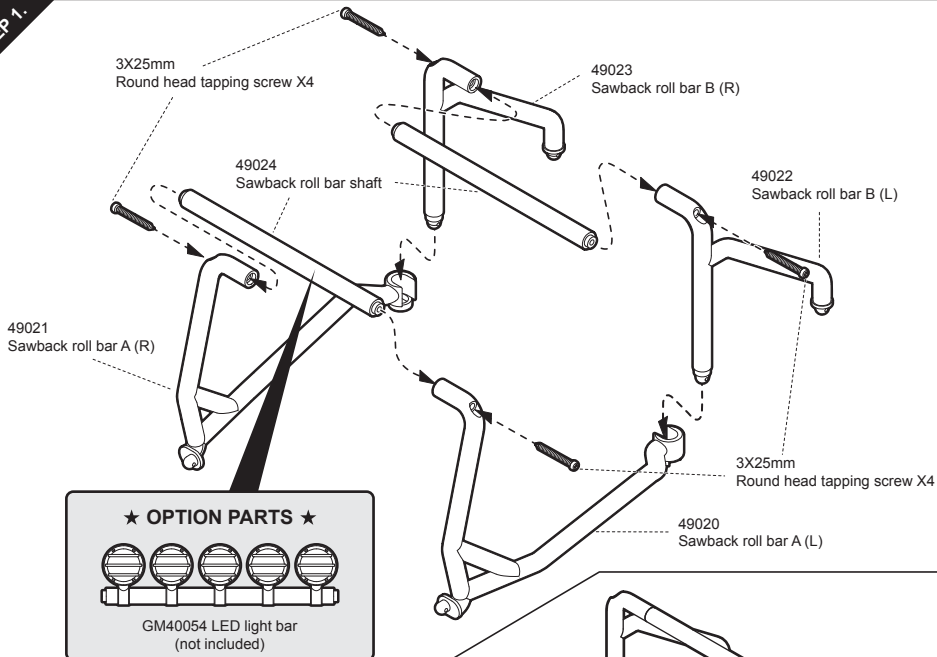


P5 O-ring x6



R5 snap pin x6

STEP 1.



STEP 2.

