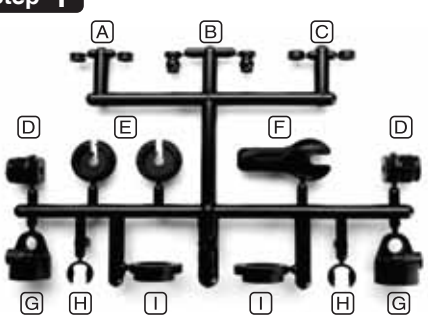


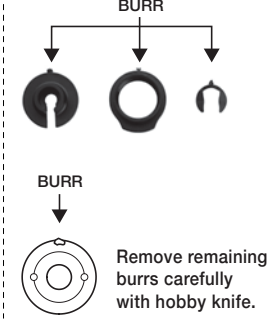
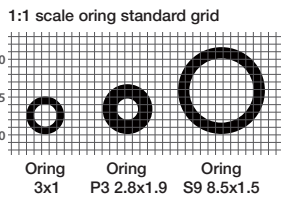
Aeration shock assembly instructions



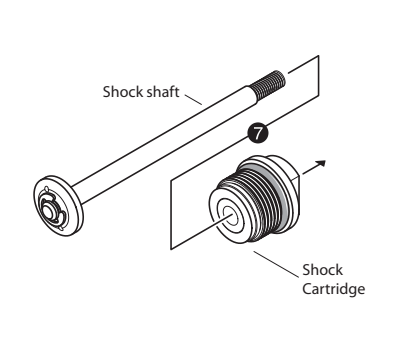
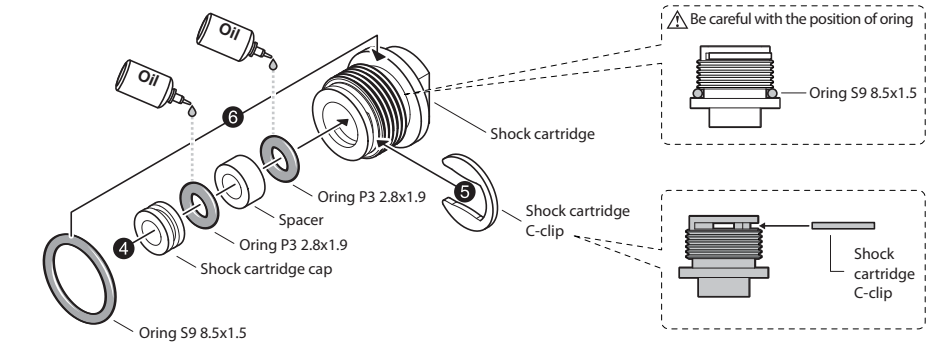
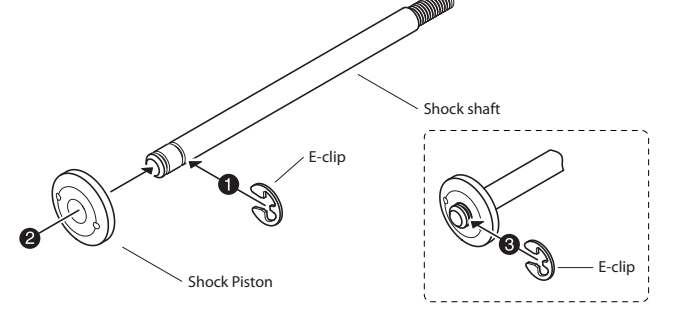
Step 1



- A Shock cartridge cap
- B Shock cap bushing
- C Spacer
- D Shock cartridge
- E Spring cup
- F Tool
- G Shock cap
- H Shock cartridge C-clip
- I Shock adjustment nut
- J Shock piston



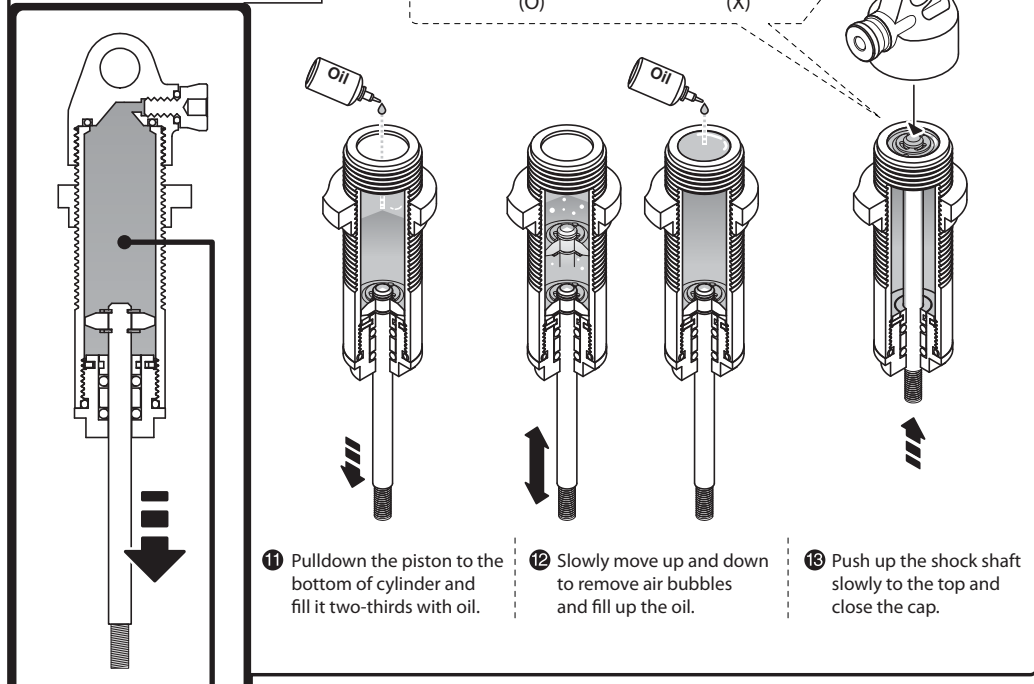
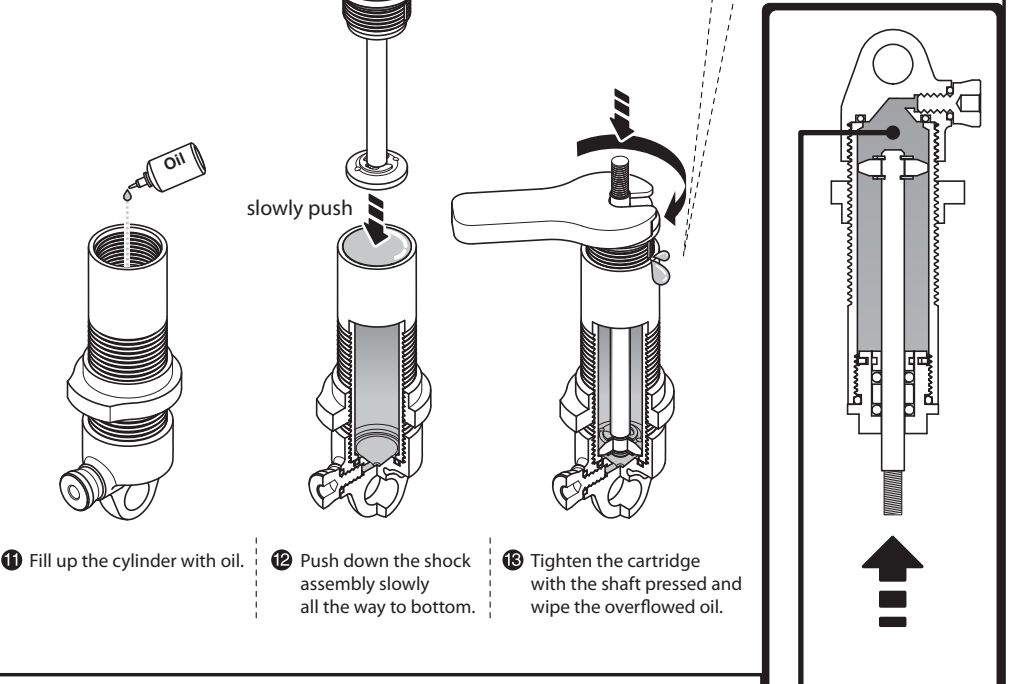
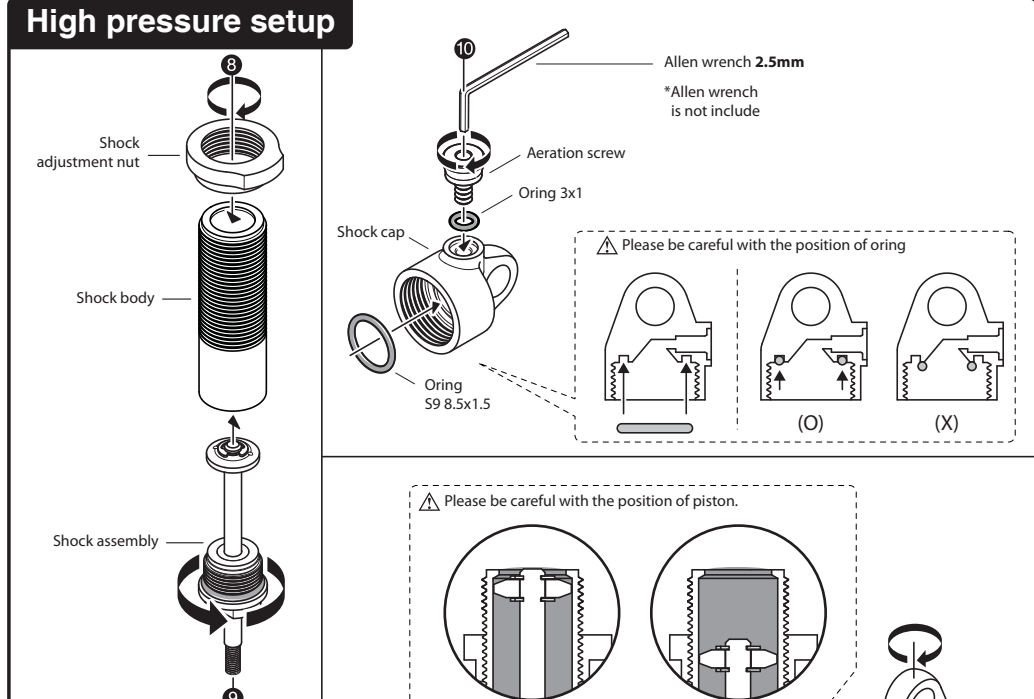
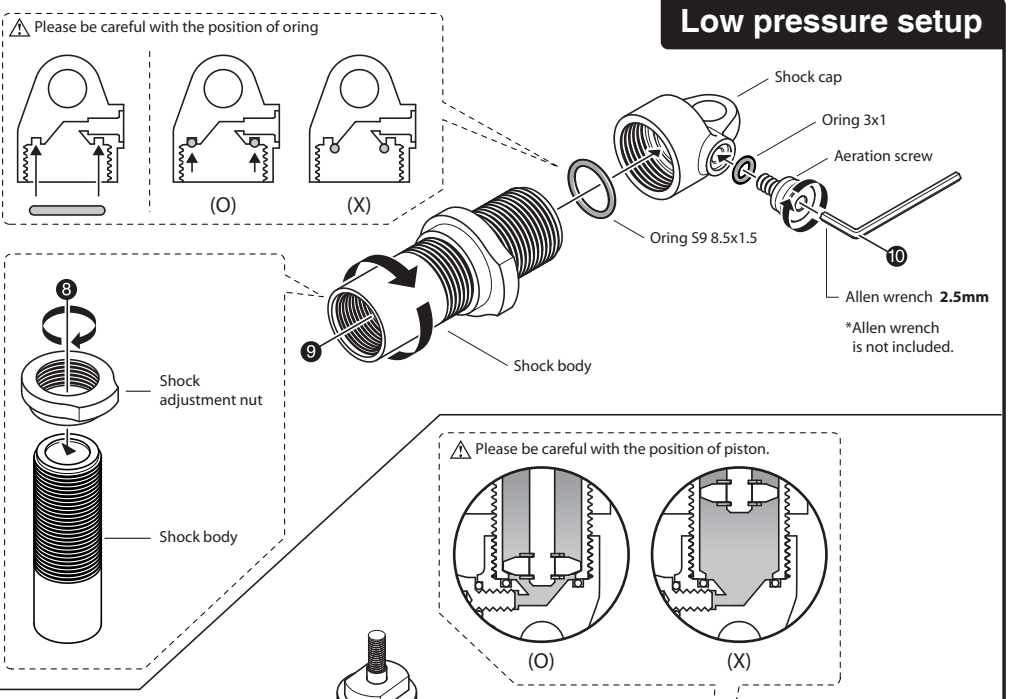
Step 2



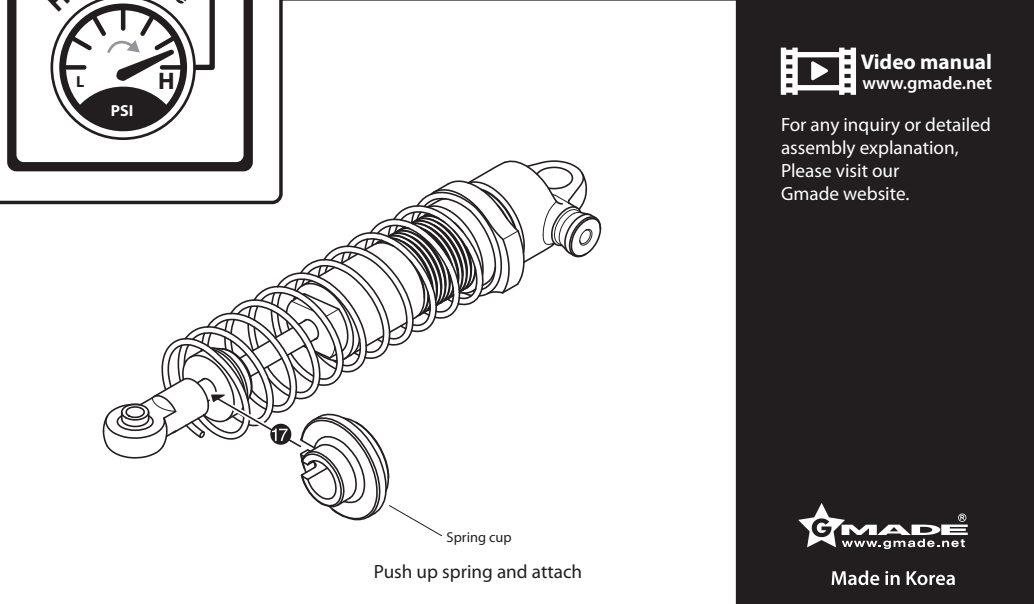
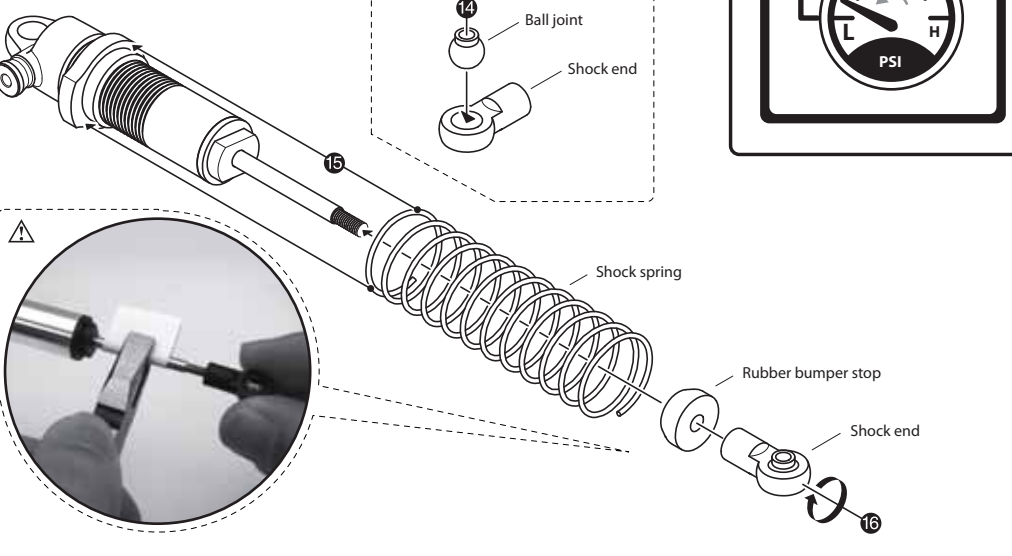
Step 3

Low pressure setup

High pressure setup



Step 4



Video manual
www.gmade.net

For any inquiry or detailed assembly explanation, Please visit our Gmade website.

GMADE
www.gmade.net
Made in Korea